

Multi Purpose Belt Type Optical Sorter



CSV600BI-C



CSV600BI-C

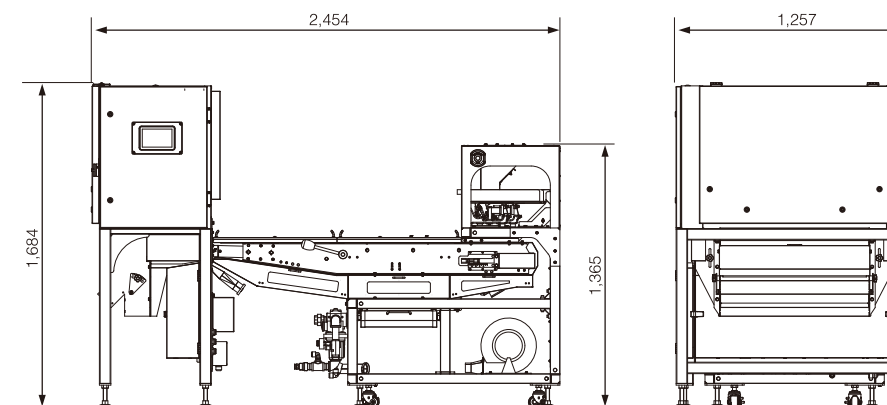
Specifications

Model	CSV600BI-C	
Subject Material *1	Beans,Seed,Nuts,Food(Snacks),Industrial Products(Recycled Plastic)	
Maximum Capacity *2 (t/h)	Soybean: 6.0	
Power Supply (V)	Single Phase AC200 - 220	
Air Consumption (Nℓ/min)	1000 - 1500	
Raw Material Supply	Feeder	
Belt	Material	Polyurethane (for food use)
	Dimension of Belt Conveyor (mm)	Width: 650 Length: 1,680
Optical Element	Camera	Full Color CCD × 4
	Light Source	White LED
Sorting Section	Nozzle Pitch (mm)	5
Cleaning Device	Wiper,Sweeper	
Control Panel	Full Color Touch Panel	
Net Weight (kg)	about 800	

*1 Sorting is unable depending on aspect of material.

*2 Sorting performance varies depending on variety and contamination of material.

Dimensions(mm)



BELTUZA CSV600BI-C

All copyright and trademark rights of this catalog belong to Satake Co., unless otherwise noted. Unauthorized copying, reprinting, etc. are forbidden. All Satake products are the subject of continuous development and, as a result, their specification may change and differ in detail from those shown.

SATAKE CORPORATION

Head Office
2-30 Saijo Nishihonmachi,
Higashi-Hiroshima-shi, Hiroshima-ken,
739-8602, Japan
URL : <https://satake-group.com/>

Korea Branch
Alpha mighty Dunsan Building, 16F,
239, Daedeok-daero, Seo-gu, 35229
URL : <https://satake-group.com/>

SATAKE USA INC.
10900 Cash Road,
Stafford, Texas, 77477, U.S.A.
URL : www.satake-usa.com

SATAKE AMERICA LATINA LTDA.
Rua Xavantes, 155-Pav. 20, Bairro
Atiradores, CEP 89203-210, Joinville,
Santa Catarina, Brazil
URL : www.satake.com.br

SATAKE EUROPE LTD.
Horsfield Way, Bredbury Industrial Park,
Bredbury, Stockport, Cheshire, SK6 2SU,
U.K.
URL : www.satake-europe.com

SATAKE INDIA ENGINEERING PVT. LTD.
4th Floor, Tower-1, HB Twin Towers, A2,
3, 4, Netaji Subhash Place, Wazirpur
District Centre, New Delhi, 110034, India
URL : www.satakeindia.com

SATAKE (THAILAND) CO., LTD.
133,134 Moo 5, Bangkadi, Mueang
Pathum Thani, Pathum Thani 12000,
Thailand
URL : www.sataketh.com

SATAKE ASIA CO., LTD.
888/84 Mahatun Plaza Bld., 8th Floor,
Ploenchit Rd., Lumpini, Pathumwan,
Bangkok, 10330, Thailand
URL : www.sataketh.com

PT. SATAKE GOBEL INDONESIA
Gedung Surabaya Bumi Mandiri, Lantai
9, Jalan Jenderal Basuki Rachmat Nomor
129-137, Unit 905 B, Indonesia
URL : <https://satake-group.com/>

SATAKE VIETNAM CO., LTD.
Copac Square 12 Ton Dan street, Floor
3A, Ward 13, District 4, HCMC, Vietnam
URL : <https://satakevietnam.com/>

SATAKE MANUFACTURING (SUZHOU) CO., LTD.
229 Jin Feng Road, Suzhou New
District, Suzhou City, Jiangsu Province,
215129, China
URL : www.satake.cn

SATAKE AUSTRALIA PTY. LTD.
15 Leland Street, Penrith, N.S.W.,
2750, Australia
URL : www.satake.com.au

ISO 9001 Certification
(Quality Management Systems)

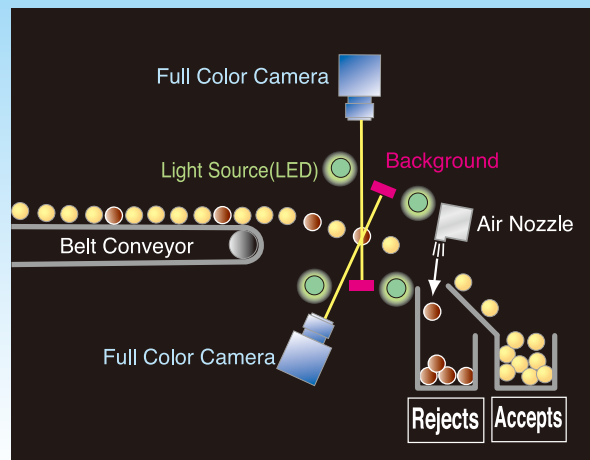
ISO 14001 Certification
(Environmental Management Systems)

SATAKE CORPORATION has obtained
ISO9001 and ISO14001 certification.
These international standards for management
systems ensure Satake will continue to provide
high quality products and services.

Shape Sorting and Sensitivity Creation System

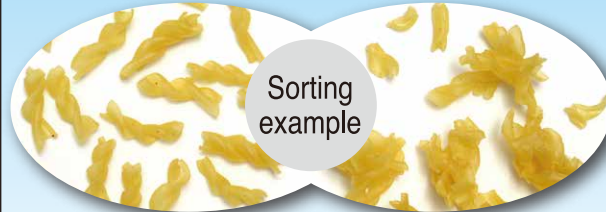
AUTOMATIC SENSITIVITY CREATION

Full Color Camera and Stable Belt Conveying



Recognize the Shape

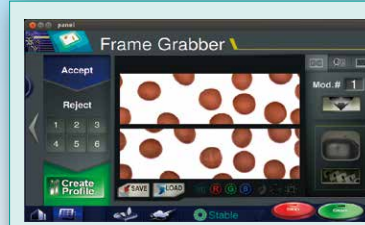
Recognizes and ejects the object based on shapes.



The new feature, Shape Sorting, enables the machine to sort the material by shape (such as broken or adhered) which the conventional color sorters could not achieve.

Easy Sort Setting in Different Materials

Satake's own automatic sensitivity creation system allows the users to adjust the sort setting easily in every material.



Scan the accepts image with full color camera.



Scan the rejects image.



Press the button to create the sensitivity by which the machine distinguishes accepts and rejects.

The belt stably and uniformly conveys the materials to assure high sorting accuracy. The improved LED lightning enables the sensors to capture the slightest color differences. Defective products are ejected from the product stream by air. Feeding and discharging section are made of stainless steel for higher hygiene standards.

Sort Various Materials

The machine can sort light materials by slowing down the belt speed.



Usability

Lightly Operating Touch Panel



Screen can be operated with the same actions as smartphones. Excellent visual screen design provides user-friendly operation.

Maintenance

Hygienic Body



The machine body is a dividable structure for easy cleaning and maintenance. Belt conveyor is easy to remove.

Economy

Long Lifetime LED Lighting



LED lightning is applied for optical section. It's lifetime is ten times longer compared with our existing fluorescent lamps.

Parts Names

